

## SAFETY PRECAUTIONS

1. The device must be installed by a qualified person,
2. Disconnect all power before working on the device. Don't touch any terminal when the power is ON.
3. Verify correct terminal connection when wiring.
4. Don't dismantle or repair the device whether it operates normally, otherwise no responsibility is assumed by producer and seller.
5. Never use the device at the site which can be invaded by corrode gas, strong sunshine light and rain.
6. Clean the device with a dry cloth.
7. Fail to follow these instructions will result in serious injury or death.

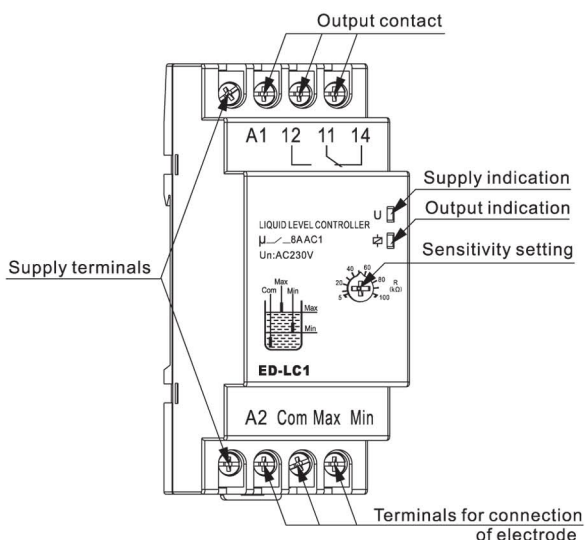
## FEATURES

- Microcontroller based.
- Modular design, 36mm wide housing.
- Sensitivity 5kΩ~100kΩ adjustable
- 1 C/O output-8A
- Work with 2 or 3 electrodes mode
- LED indication for supply and output state
- DIN Rail mounting

## TECHNICAL DATA

Power supply terminals	A1-A2
Rated supply voltage(Un)	AC 230V
Rated frequency	50/60Hz
Power consumption	<1W
Sensitivity	5kΩ~100kΩ adjustable
Trip delay	2s
Supply indication	Green LED
Output indication	Red LED
Output contact	1C/O
Current rating	8A/250V AC1
Rated insulation voltage	415V
Protection degree	IP20
Pollution degree	3
Electrical life	10 <sup>5</sup>
Mechanical life	10 <sup>6</sup>
Altitude	=2000m
Ambient temperature	-25°C~+50°C
Permissible relative humidity	=50% at 40°C (without condensation)
Storage temperature	-25°C~+75°C
Conductor size	0.5~2.5mm <sup>2</sup>
Tightening torque	0.5Nm
Mounting	Th35 rail (EN60715)

## APPEARANCE



# ED-LC1

## LIQUID LEVEL CONTROLLER

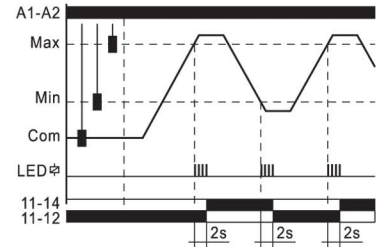
Please read complete instructions prior to installation and operation of the device.

## INSTALLATION AND SETTING

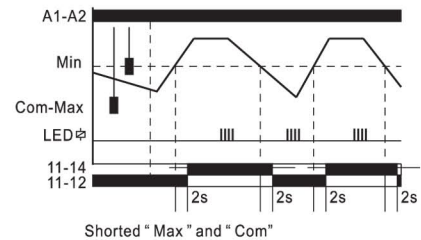
- 1 Sensitivity setting: minimize the sensitivity, and put electrodes "Max", "Min" and "Com" in tank. Turn the sensitivity setting knob until output indication LED(red) flashes, the setting is finished.
- 2 Shorted "Max" and "Com", relay will work with 2 electrodes.
- 3 Please set the relay before energization. If set the relay after energization, the setting effects when the relay re-energized.
- 4 Don't be used for testing inflammable and explosive liquid.

## FUNCTION DIAGRAMS

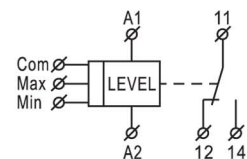
- 3 electrodes mode



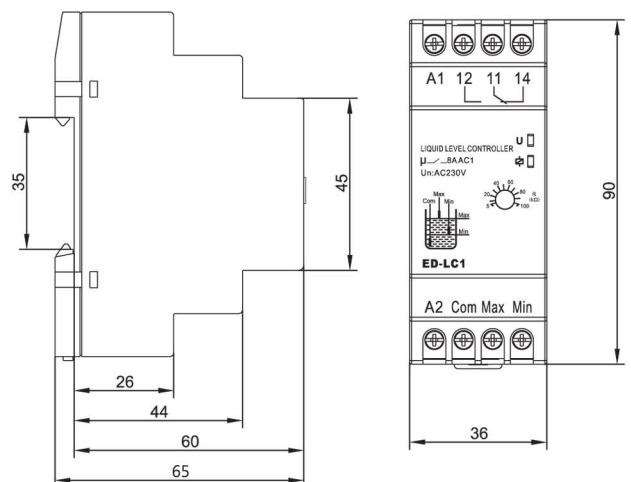
- 2 electrodes mode



## SYMBOL

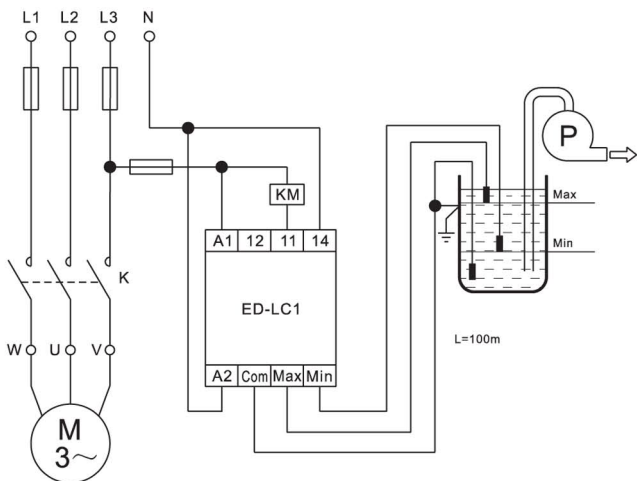


## DIMENSIONS

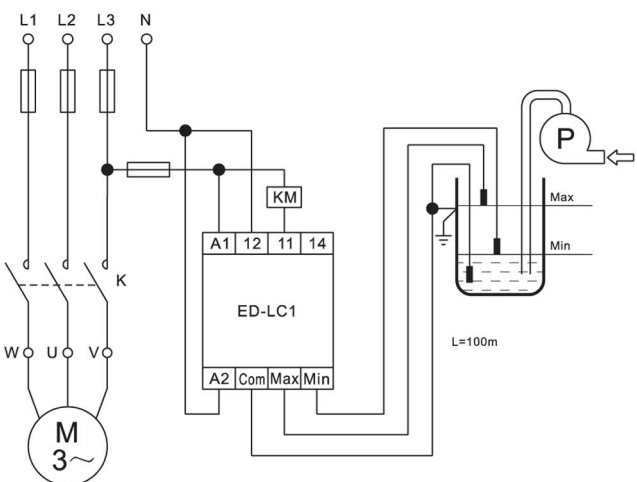


# WIRING DIAGRAMS

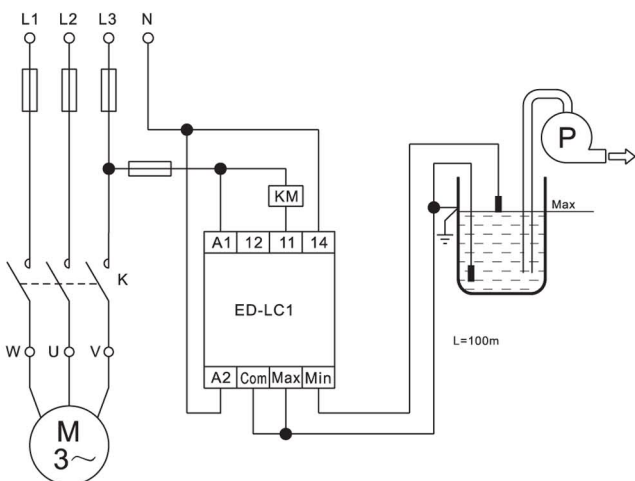
## ● 3 electrodes mode(drainage)



## ● 3 electrodes mode(filling)



## ● 2 electrodes mode(drainage)



## ● 2 electrodes mode(filling)

